



apS

Advanced Power System

Features That Make a Difference:

- Provides uninterrupted power backup for apC/8X and iSTAR controllers
- Cabinet LEDs indicate battery voltage and AC fault
- Low battery warning
- AC failure supervision
- Single or dual battery configurations
- Dedicated interface with main power input of apC/8X and iSTAR
- Up to 53 hours of power backup
- Cabinet width matches apC/8X and iSTAR cabinet and uses the same key
- Reverse polarity protection
- Overcurrent protection
- Thermal protection
- UL 603 compliant

apS Advanced Power System provides uninterrupted power for apC/8X and iSTAR intelligent access control and alarm monitoring panels. The combination of apS with apC/8X or iSTAR controllers serves as the basic building block for any C•CURE Security Management System.

apS connects directly to the main power input replacing the standard power supply provided with apC/8X or iSTAR. When apS senses an AC power failure, it immediately notifies the host while continuing to supply the power required to operate the panel and connected readers.

Two relay outputs are provided on apS for connection to inputs on apC/8X or iSTAR. One is connected to the “power fail” input and indicates loss of AC power to apS. A second output is connected to the “low battery” input and indicates low battery voltage and impending loss of backup power.

LED indicators located on the cabinet door of apS display AC loss and the relative battery voltage level to approximate the state of battery charge.

Input

Voltage¹ 120-240 VAC, 50/60 Hz
 Current 2.5 amps AC maximum

Output

DC System

Voltage 13.8 VDC
 Current 3.75 ADC
 Protection Self-resetting PTC rated at 3.75 ADC

Battery

Voltage 13.8 VDC
 Current 4.5 ADC maximum
 Protection Fused at 10 ADC fault outputs

AC Fault

Output Form C dry contact
 Activation AC power failure, blown AC fuse

Low Battery

Output Form C dry contact
 Activation Below 10.3 VDC

Batteries

Single Rating 12 V/17Ah
 Dual Rating 12 V/34Ah

Physical

Dimensions (H x W x D) 41.28 x 36.83 x 10.16 cm
 (16.25 x 14.5 x 4.0 in)
 Weight 8.8 kg (19.5 lbs)
 Battery Weight (single) 6.1 kg (13.5 lbs)
 Housing 16 gauge carbon steel
 Operating Temperature 0° to 50°C (32° to 122°F)

Current Draw at 12 VDC²

Panels and Boards

iSTAR GCM Boards 290mA
 iSTAR ACM Boards 180mA
 RM-4 Board 75mA
 RM-4E Board 280mA without LCD
 iSTAR Relay Board 35mA
 I8 Input Module 150mA
 R8 Output Module 150mA (no active relays – add 17mA per active relay)
 apC/L 120mA
 apC/8X 120mA

Panels and Boards (cont.)

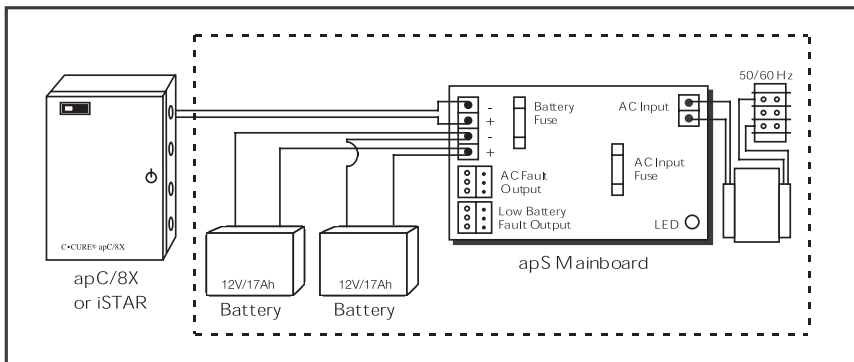
Star Coupler 80mA (no active relays – add 17mA per active relay)
 Mini Star Coupler 40mA
 R48 60mA (no active relays – add 17mA per active relay)
 I32 310mA
 WPSC Lower 60mA
 WPSC Upper 70mA

Readers

Software House Readers 125mA
 Indala ASR-101, 103, 105, 110, 112 150mA
 Indala PR5, 10, 12 130mA
 Indala ASR-120, 122 350mA
 Indala PR20, 22 350mA
 Sensor Eng WR1, WR2 30mA
 HID MiniProx 60mA
 HID ProxPro 100mA
 HID MaxiProx 200mA
 Barantec Readers 150mA
 HID iCLASS Readers 100mA
 RM with Mag Stripe 80mA
 RM with Mag Stripe with LCD 180mA
 RM with Mag Stripe Mullion 80mA
 RM with Indala Proximity 80mA
 RM with Indala Proximity with LCD 180mA
 RM with HID Proximity 135mA (avg); 250mA (peak)
 RM with HID Proximity with LCD 235mA (avg); 350mA (peak)
 RM with HID Proximity Mullion 135mA (avg); 250mA (peak)
 RM1-W with Wiegand 80mA
 RM with HID iCLASS 160mA
 RM with HID iCLASS and LCD 225mA
 RM with Software House
 Multi-Technology 170mA (avg); 220mA (peak)
 RM with Software House
 Multi-Technology and LCD 270mA (avg); 320mA (peak)
 ARM-1 Relay Module 17mA (relay active)
 MRM 140mA
 Schlage Scramble Keypad 500mA max
 Wireless PIM 300mA
 Wireless Reader Interface (WR1) 300mA
 T.Rex Request to Exit Detector 50mA
iSTAR Pro PCMCIA Cards
 Diamond SupraMax Modem 220mA
 SMC EZ Card 10/100 Ethernet 400mA

(1) Transformer is end user strappable for 240 VAC, 50/60 Hz operation. Current draw at 12 VDC.
 (2) These currents are estimates. Voltage tolerance on 12 VDC inputs is +/- 15%.

apS Installation Diagram



Product offerings and specifications are subject to change without notice. Actual products may vary from photos. Not all products include all features. Availability varies by region; contact your sales representative. Certain product names mentioned herein may be trade names and/or registered trademarks of other companies.

© 2008 Tyco International Ltd. and its respective companies. All rights reserved. SH0131-DS-200804-R02-A4-EN